

16 × 16 dot matrix unit

LUM-2563ML304

The LUM-2563ML304 is a 16 × 16 dot matrix display which can be used in a wide range of applications, including alphabet, numeric, symbol and graphical displays. A large display can be easily created by arranging a number of these dot matrix displays in an array, and they can be applied to a variety of display purposes. A custom LSI controller has display data memory for two screens, and data for each screen can be written and displayed in turn.

●Applications

Light source for displays

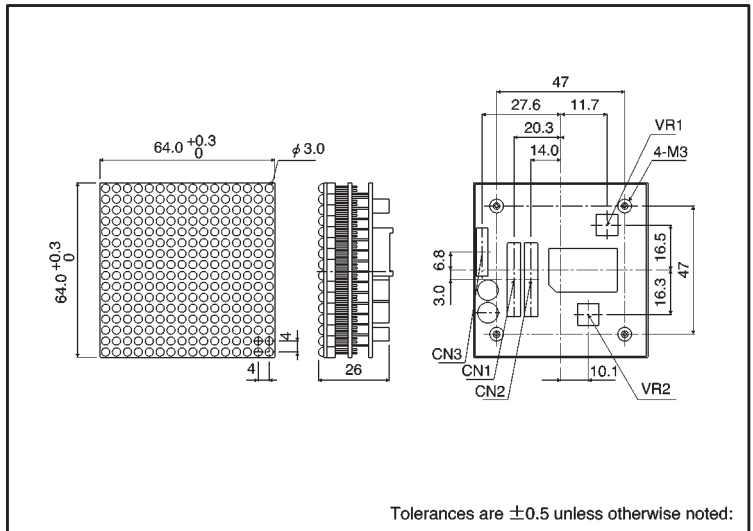
●Features

- 1) 16 × 16 dot matrix
Circular emitters 3 mm in diameter.
- 2) Dimensions: 64 mm × 64 mm
- 3) Clear display.
- 4) Three-color display is possible (red, green, and orange).
- 5) Bright red (GaAlAs).
- 6) 1/16 duty dynamic scan method.

●Specifications

For detailed specifications, refer to pages 284 to 292.

●External dimensions (Units: mm)



●Selection guide

Display Type	Reflection Lamp
Type	LUM-2563ML304